

- Band 28, RF-Tx Balanced Block A SAW Filter
- Revision 0: April 2014

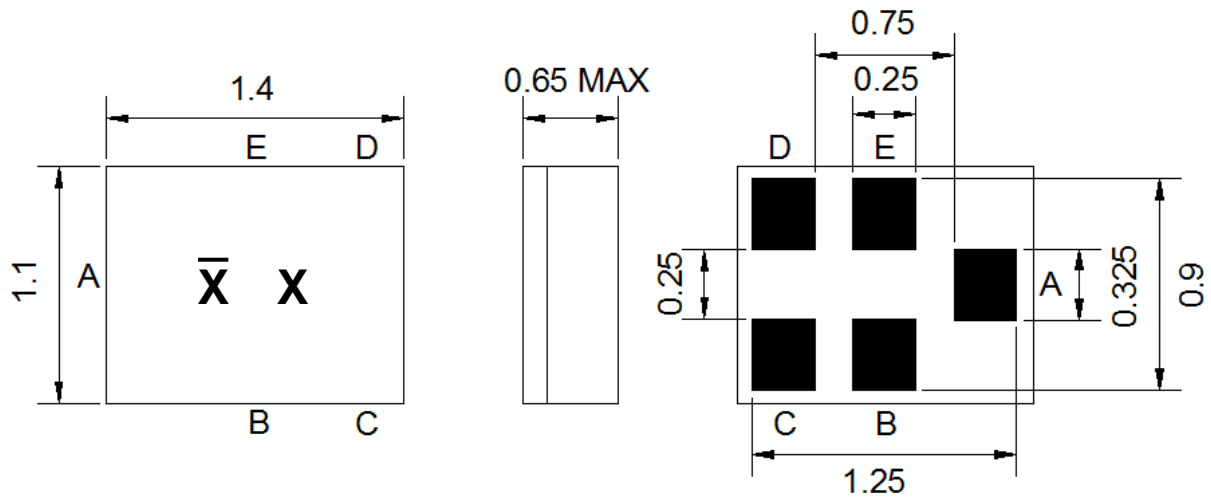
### Electrical Characteristics

MAXIMUM RATING				
PARAMETERS DESCRIPTION	UNIT	MINIMUM	TYPICAL	MAXIMUM
Operating Temperature Range	°C	-30	-	+85
Storage Temperature Range	°C	-40	-	+85
Maximum DC Voltage	V	-	-	0
Maximum Input Power	dBm	-	-	10
Source Impedance (unbalanced) <sup>(1)</sup>	Ω	-	50	-
Load Impedance (balanced) <sup>(1)</sup>	Ω	-	100	-
Package type & size	C21			
Length x Width	mm <sup>2</sup>	-	1.4 x 1.1	-
Height	mm	-	-	0.65

ELECTRICAL SPECIFICATION				
PARAMETERS DESCRIPTION	UNIT	MINIMUM	TYPICAL	MAXIMUM
Center Frequency (Fo)	MHz	-	718.0	-
Insertion Loss within 703.0 ~ 733.0 MHz	dB	-	2.7	4.0
Amplitude Ripple within 703.0 ~ 733.0 MHz	dB <sub>p-p</sub>	-	1.3	2.2
Attenuation:				
758.0 ~ 788.0 MHz	dB	35	40	-
1406.0 ~ 1496.0 MHz	dB	45	58	-
VSWR within 703.0 ~ 733.0 MHz	-	-	2.2	2.9

**Notes:** (1) With Matching Network

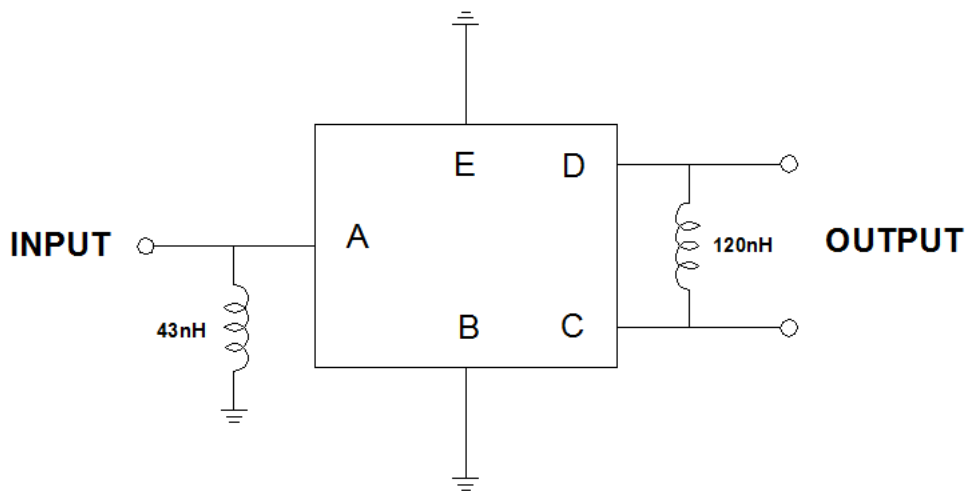
## Package Dimensions



Marking Descriptions	
$\bar{X}$	Series Number
X	Date Code (Year+Month)

Pin Description	
B, E	Ground
A	Input
C, D	Balanced Output

## Testing Environment

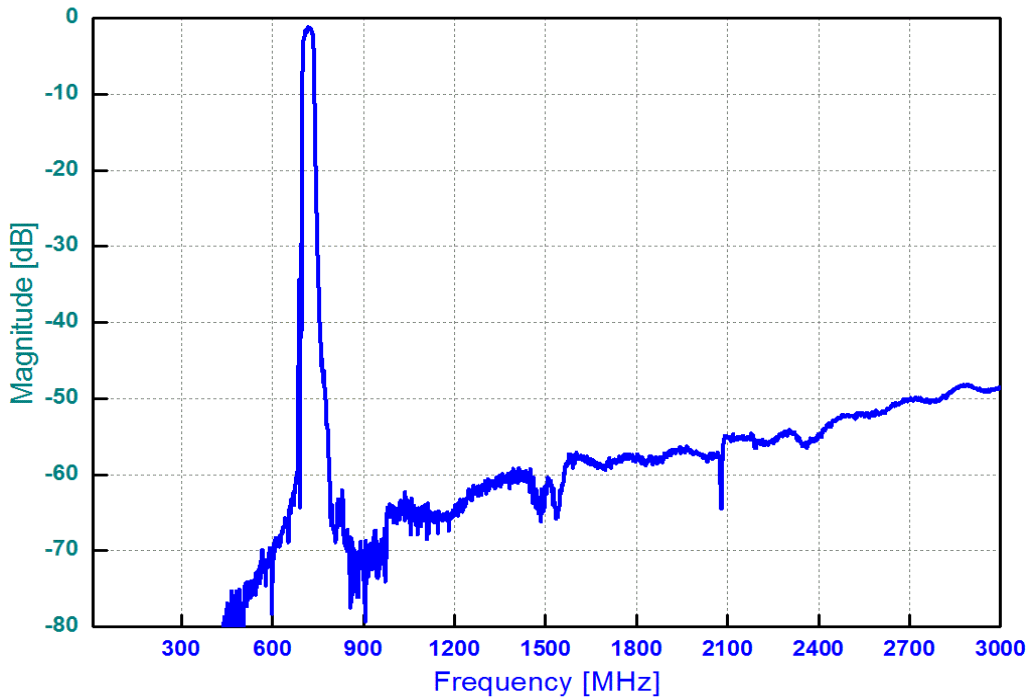
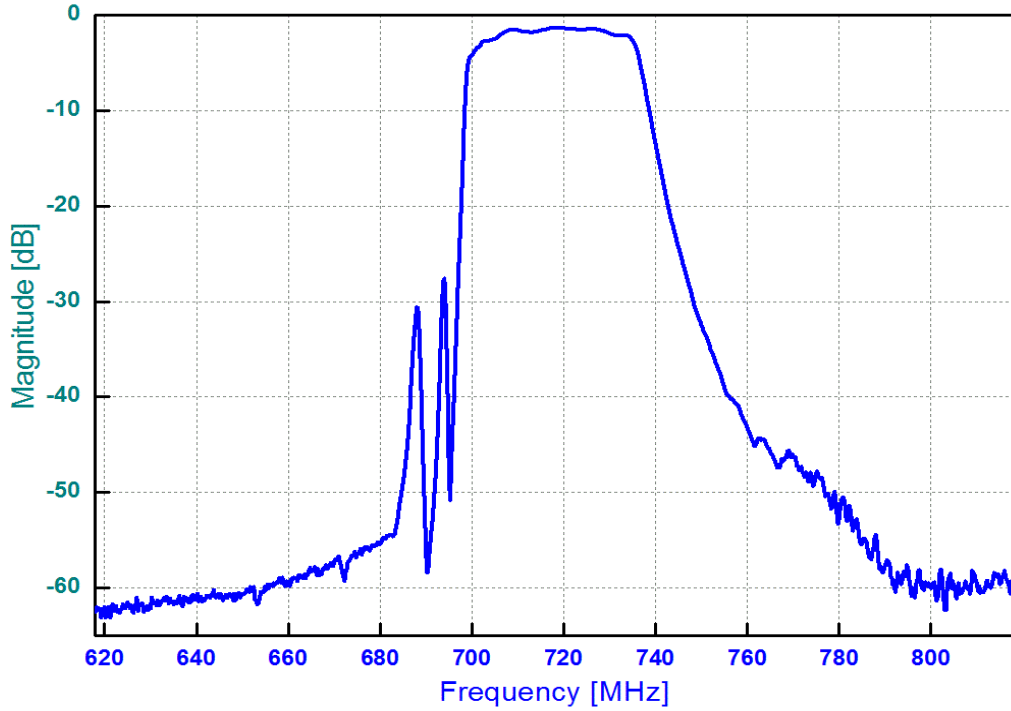


Source Impedance: 50  $\Omega$

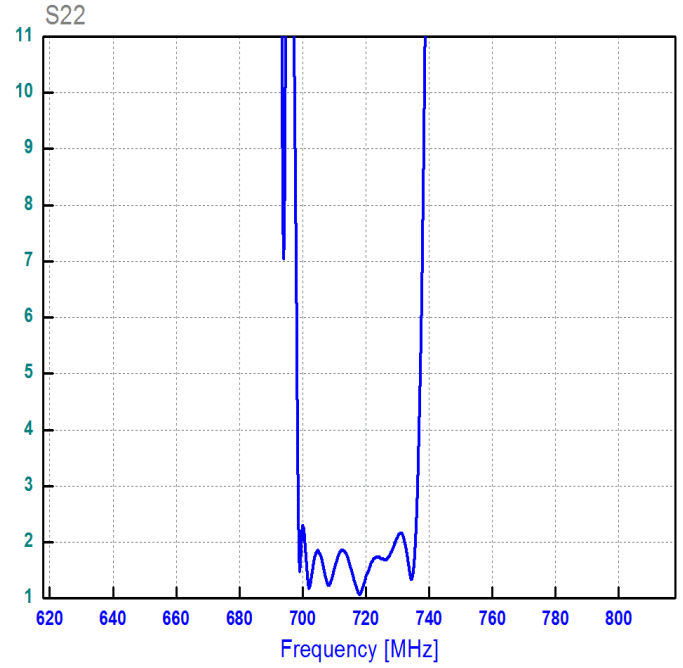
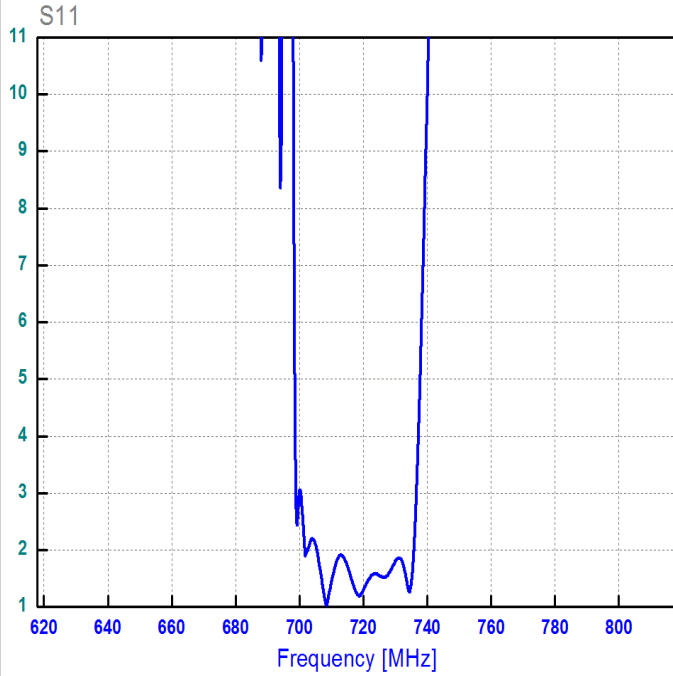
Load Impedance: 100  $\Omega$

**Frequency Characteristics**

**Frequency Response**



**VSWR**



**Smith Chart**

